



5050 Waterproof Strip

-IP68 Series

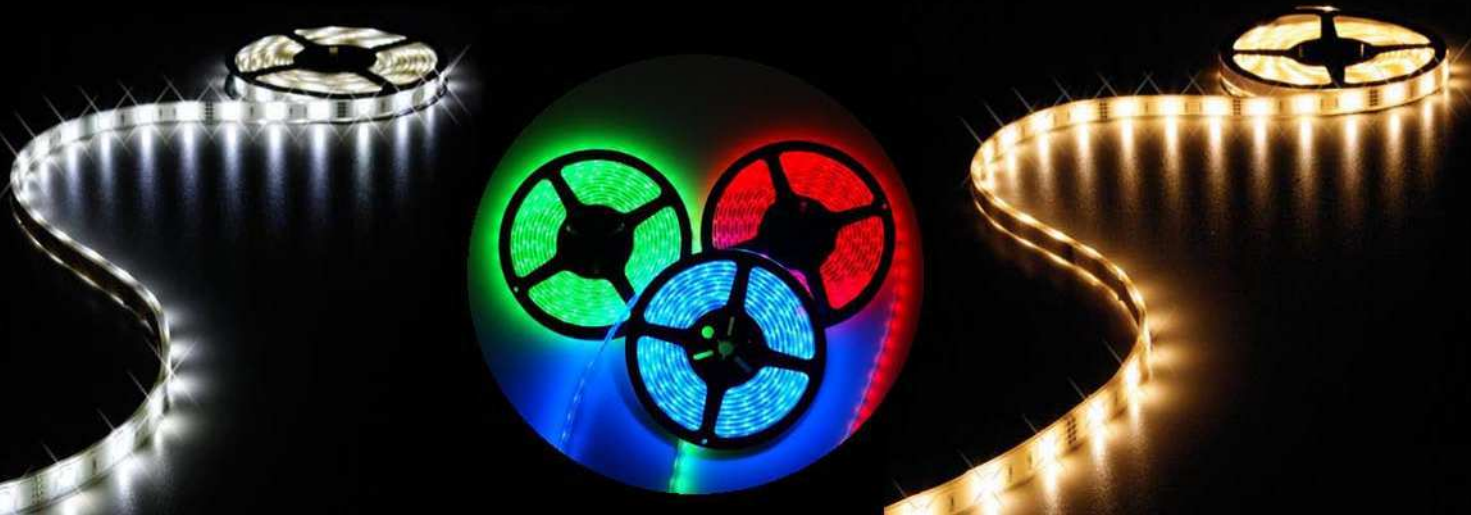
5050SMD

Ra70/80/90

2 Year Warranty



IP 68





Product Description

Great light source

5050 IP68 SMD LED strip light, high brightness golden wire 5050 SMD LEDs are used as light sources, with high lumen LEDs 20-22lm for each LEDs which make the whole strip with high brightness.

Double-faced soft FPC

GLU LED Strip light use high tech. double-faced FPC with thicker copper layer, which ensure the good electrical conductivity and lower voltage drop, however for many other suppliers they use single faced soft PCB.

Different CRI for different application

GLU LED strip light, we offer CRI70, CRI80, and CRI90 version, for different applications.

Both white and copper PCB available

For GLU LED strip we offer both white and copper PCB with same price to satisfy the different taste from different consumer.

Different colors for choice for different applications

GLU 5050 LED strip, we offer cold white, natural white, warm white, Red, Green, Blue for different applications.

Environmental friendly

GLU LED strips are complied with CE and RoHS standard without harmful substance, such as lead or Mercury etc.

2 Years warranty

GLU LED strips are use good materials and super light sources with low lumens depreciation, which make the strips with long life-span over 80, 000 hours, and we offer 2 years warranty.



Product Parameter

Absolute Maximum Rating at TA=25°C

Parameter	Symbol	Absolute Maximum Rating	Unit
Forward Current	IF	1080/540	mA
Forward Voltage	VF	12/24	V
Electrostatic discharge	ESD	400	V
Operating Temperature	Topr	-25~+60	°C
Storage Temperature	Tstg	-40~+80	°C

Electrical / Optical Characteristics at TA=25°C

Part No.	Color	CCT/WLD	Lumen Flux	CRI	Power	View Angle
FBN-W-60-IP68	CW	6000-6500K	1080lm	>70	13W	120°
FBN-NW-60-IP68	NW	2800-3200k	1050lm			
FBN-WW-60-IP68	WW	2800-3200k	980lm			
FBN-W-60-IP68H	CW	6000-6500K	1020lm	>80		
FBN-NW-60-IP68H	NW	2800-3200k	980lm			
FBN-WW-60-IP68H	WW	2800-3200k	920lm			
FBN-W-60-IP68H	CW	6000-6500K	860lm	>90		
FBN-NW-60-IP68H	NW	2800-3200k	830lm			
FBN-WW-60-IP68H	WW	2800-3200k	740lm			
FBN-R-60-IP68	Red	620-625nm	310lm	---		
FBN-G-60-IP68	Green	520-525nm	540lm			
FBN-B-60-IP68	Blue	460-465nm	230lm			
FBN-Y-60-IP68	Yellow	588-595nm	230lm			
FBN-RGB-60-IP68	Red	620-625nm	540lm			
	Green	520-525nm				
	Blue	465-470nm				

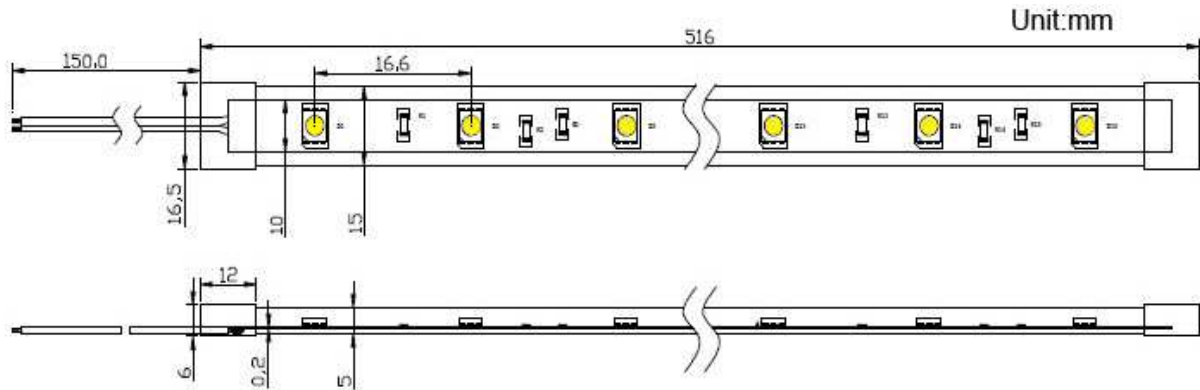
Note: 1. The lumen flux tolerance is $\pm 5\%$;

2. The data above is based on 1 meters;

3. Test Temperature (Ambient temperature: TA=25°C)



Product Dimension



Notes:

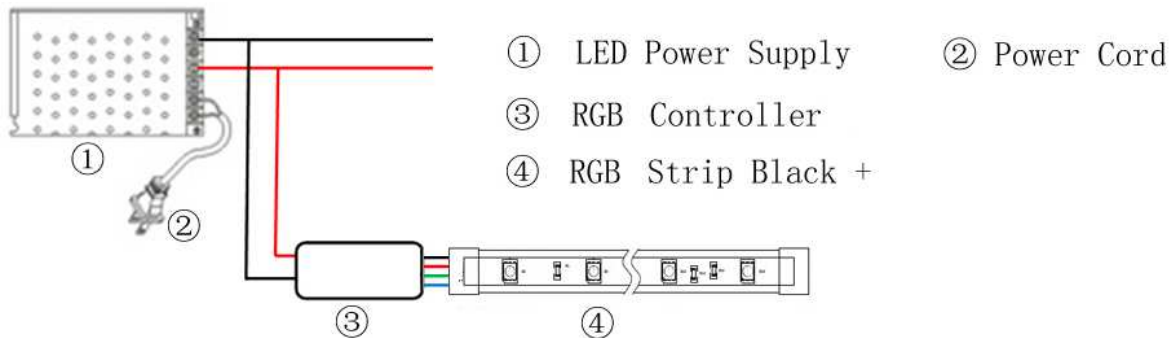
1. All dimension units are millimeters.
2. All dimension tolerance is $\pm 0.5\text{mm}$ unless otherwise noted.

Connecting Diagram

Single color



RGB Color



Notes:

1. DC24V, please choose suitable power supply, power of power supply 20% higher than strip loaded is recommend;
2. Parallel connection is highly recommended, at most 8-10meter for series connection.



Product Application

For Flexible Strips, they can be used as edge light, cove light, furniture light, sign light, backlighting for AdWords, lighting box etc., and widely used as decorative lighting for building outline, sidestep, exhibition stand, hotel, KTV, club etc. And also DIY Light for household use.



Safety Information

- The SMD light ribbon itself and all its components may not be mechanically stressed. Assembly must not damage or destroy conducting paths on the circuit board.
- Installation of LED light ribbon (with power supplies) needs to be comply with all applicable electrical and safety standards. Only qualified personnel should be allowed to perform installations. Correct electrical polarity needs to be observed. Wrong polarity may destroy the ribbon.
- Parallel connection is highly recommended as safe electrical operation mode.
- Serial connection is not recommended. Unbalanced voltage drop can cause hazardous overload and damage the ribbon.
- Please ensure that the power supply is of adequate power to operate the total load.
- When mounting on metallic or otherwise conductive surfaces, there needs to be an electrical insulated points between ribbon and the mounting surface.
- Please pay attention to standard ESD precautions when installing the ribbon.



- Damaged by corrosion will not be honored as a materials defect claim. It is the user's responsibility to provide suitable protection against corrosive agents such as moisture and condensation and other harmful elements.
- The strip must installed in a place with good heat dissipation condition. Do never installed the strip impending or on wooden.



Product Packing



Contact Information

Company Name: Shenzhen GLU Lighting Co., Ltd.

Add.:4F, Bldg. K, Zhixuanhan Industrial Area, Yuanling Community, Shiyan Town,
Bao'an District, Shenzhen, P.R. China 518108

Tel:+86-755-23708101/23708103

Fax:+86-755-29236521

E-mail: sales@glu-light.com

<http://www.glu-light.com>

<http://glu-light.en.alibaba.com/>

Skype: glu-light.com

MSN: sales@glu-light.com

ICQ: victor@glu-light.com

